

- 2) Lay out both pieces A and mark holes as shown (Fig. 4). Using the drill guide, (Illustration 1) drill the twenty 1/4" holes to depth of 1/2". Mark the positions of L and Q, remembering not to cover up the rabbet in A. Glue and nail on piece L with 1" finishing nails. Pre-drill pieces Q with three 1/8" nails each and screw to A with 1 1/4" #8 flathead screws. Glue and nail K to C with 1" finishing nails, nailing through K. Glue and nail bottom B to H, nailing through B. Stand the two A pieces on their front edge, glue and nail in the CR assembly with 1 1/2" finishing nails, nailing through the pieces A, then glue and nail the 1/4" rabbet on the top of A. Place the BH between piece Q and L, glue and nail into BH through A's with 1 1/2" finishing nails. Glue and nail the middle piece B to the top of piece L using 1 1/2" finishing nails, nailing through the piece B into the top of the piece L. Lay a bead of glue in the rabbet of pieces A and piece in piece T. Nail on piece T by nailing through T and into pieces A, C and B with 1" finishing nails. Glue and clamp D to the middle piece B with 1" finishing nails, ensuring the holes line up. (Fig. 8) Wipe off excess glue.

- 3) Drill four 1/8" pilot holes into each N as shown (Fig. 5). Place N up to X and pre-drill 1/16" holes through the previous holes, 1 1/2" into X. Countersink holes in N with a 1/4" #8 drill bit about 3/4" deep. Glue and screw pieces N to X with 2 1/2" #8 flathead screws. Wipe off excess glue. Ensure that the frame is square and set aside for glue to set for 24 hours. Repeat the frame assembly on the other side of the case. Insert and glue 1/4" dowel plugs into the countersink holes. Cut and sand the plug smooth. Place the hinge and door into the cabinet to dry fit for clearances. You may have to trim the door slightly. Insert the glass panels and attach each panel with eight plastic screen clips. Attach the handles according to manufacturer's instructions. Attach the piano hinge to N with the hinge pin just protruding 1/8" beyond the face of the door.

- 4) Build a simple box with pieces G and F as shown (Fig. 6). Glue and nail pieces F to G with 1 1/2" finishing nails. Ensure the box is square, glue and nail on piece U with 3/4" finishing nails. All edges should be flush, with the exception of the rear edge of U with the hole in it and slides F. Repeat for drawer W/U. Place four dots of glue on piece M and attach to F with 1/4" wood glue. It is square and centered. Nail 1" wide through G into W, ensuring that the 1/4" dowel plugs may have to countersink into back of G. Repeat for P on W/U. Attach the slide mount drawer slides to pieces F and L, most hardware comes with instructions, follow them carefully. Repeat procedure to build other FIGSM drawer, and also UPJW drawer. Cut the drawer slider so that it is flush with the back of pieces F and W.

- 5) Glue and nail on pieces R1, R2, R3, S1, S2 and S3 with 1 1/2" finishing nails.
- 6) Install the doors by screwing the other side of the piano hinge to pieces A. Ensure the doors swing properly. Attach barrel bolts to the top and bottom of left hand door and piece K to prevent the doors from swinging open on their own (Fig. 7). Attach your locking device to the top edge of the door. From the inside of the doors, insert the 1/2" dowel catches to the top and bottom of right hand drawers. Insert the 1/2" dowel through the holes in D, B and U to lock drawers from inside the cabinet. Mark the dowel with a pencil at the point it is all the way through and into the bottom piece B so that you know when the bottom drawers are completely locked (Fig. 8). Sand and taper one end of this dowel to facilitate easier insertion into the hole.

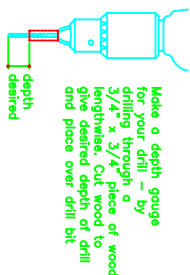
- 7) Set all nails. (on on edge tape (Illustration 2) on edges of A, K, D, E, and B. Finish with your choice of stain and varnish, or oil. Insert piece E, using the shelf brackets, to 4 your firearms. Install the light fixture if you wish behind piece K, run the cord along the upper corner and drill a hole in the back of T to exit.

On master's table:

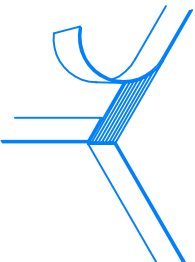
We suggest you build this to match your den furniture. Use only top quality material as this project demands quality. We also suggest you use 1/4" plate glass for the panels.

TOOLS

- Table Saw & Hand saw, or miter saw
- Router
- Table Saw
- Pencil
- Measuring tape
- Power or hand drill
- 1/8", 1/4", 1/2", and 9/16" drill bits
- Screwdriver to match hardware
- Hammer
- Nail Set
- Square
- Patty knife
- Four C clamps



DRILL DEPTH GAUGE
ILLUSTRATION 1



EDGE TAPE
ILLUSTRATION 2

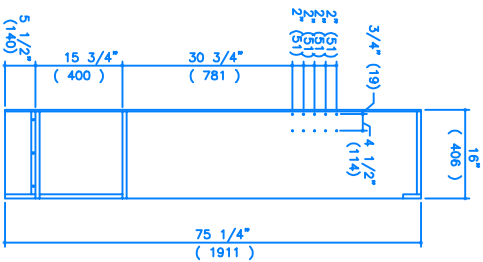


FIGURE 4
PARTIAL SECTION

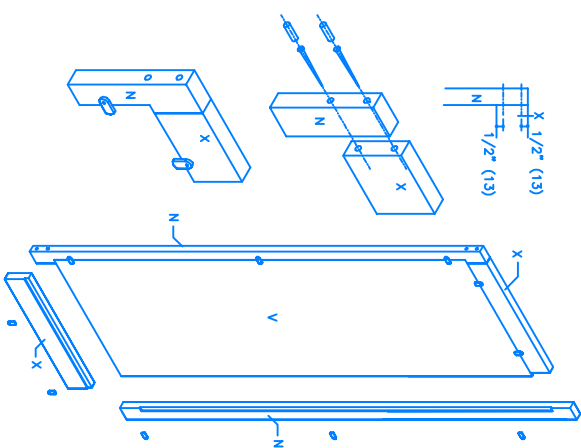


FIGURE 5

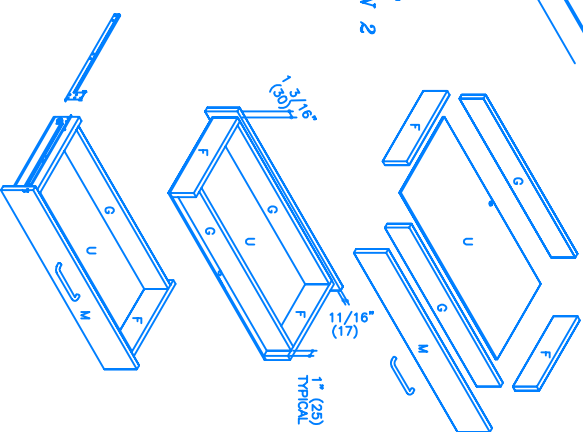
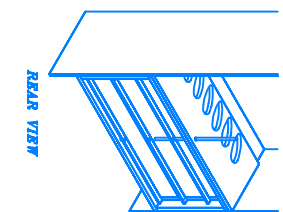
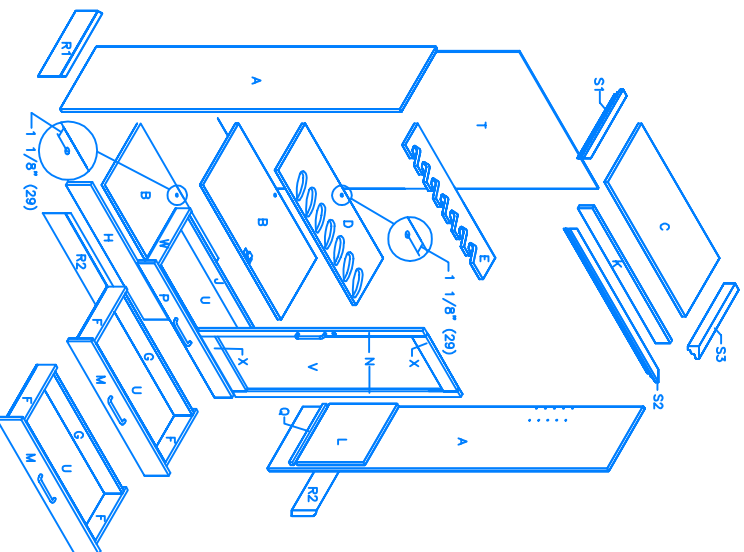


FIGURE 7

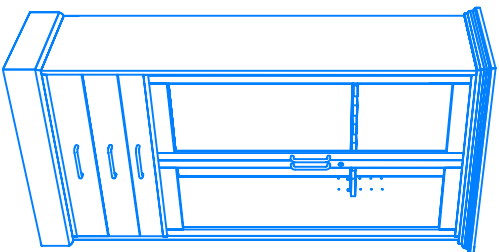


REAR VIEW

FIGURE 6



EXPLODED VIEW



FINISHED PROJECT